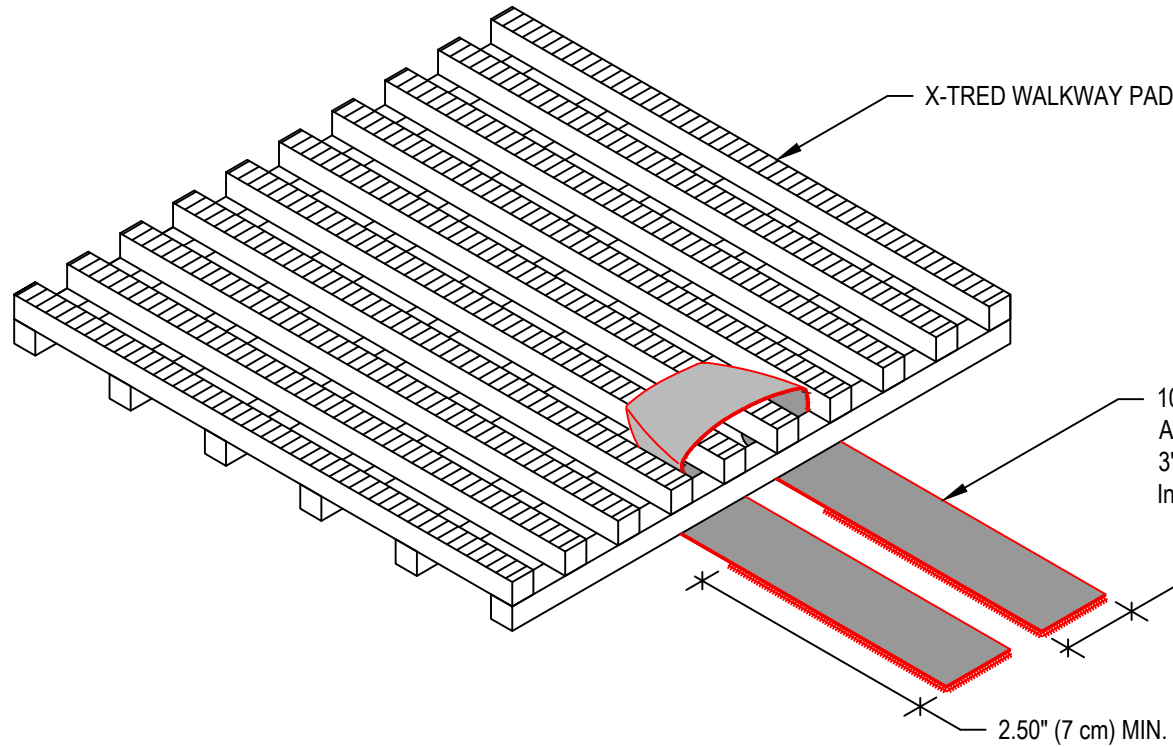
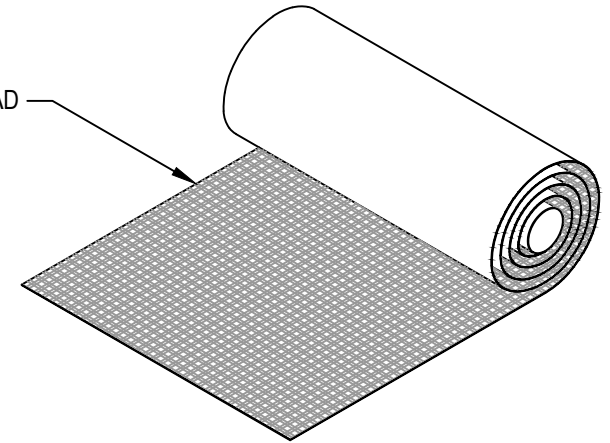


NOTES:

1. REFER TO FIRESTONE WEBSITE FOR MOST CURRENT INFORMATION.
2. SPACE BETWEEN WALKWAY SECTIONS SHALL BE 1" (2.5 cm) TO 3" (7.5 cm) TO ALLOW FOR DRAINAGE.

30" (75 cm) WIDE, 30' (9.1 m) LONG XTRED WALKWAY PAD



MAXIMUM WARRANTY: **30_YEARS**

Firestone
 BUILDING PRODUCTS
 NOBODY COVERS YOU BETTER.™
 www.firestonebpco.com

X-TRED WALKWAY PAD

RUBBERGARD™ EPDM

ACCEPTABLE SYSTEMS: **ALL**

ISSUE / REVISION
 DATE:
 10/09/2017
 NOT TO SCALE

DETAIL NO.
M-7