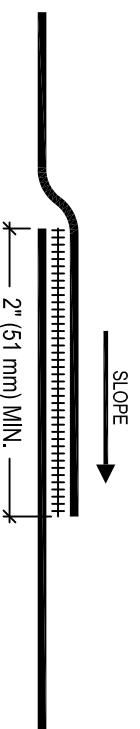
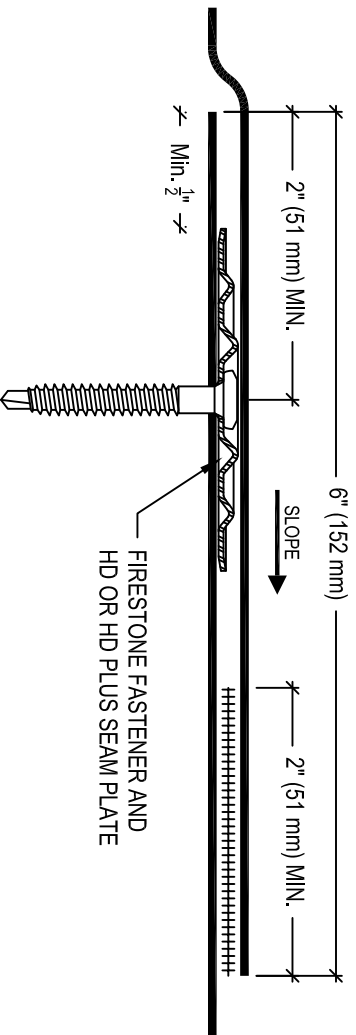


- NOTES:
 1. REFER TO FIRESTONE WEBSITE FOR MOST CURRENT INFORMATION.



WHEN POLYESTER REINFORCEMENT OF TPO IS EXPOSED, APPLY CUT EDGE TREATMENT TO ENTIRE EXPOSED EDGE. REFER TO UT-LS-14.

Firestone
 BUILDING PRODUCTS
 NOBODY COVERS YOU BETTER.™
 www.firestonebpco.com

LAP SPLICE WITH 2" HAND WELD	
ULTRAPLY™ TPO	ACCEPTABLE SYSTEMS: ALL

MAXIMUM WARRANTY: 20 YEARS	DETAIL NO. UT-LS-2
ISSUE / REVISION DATE: 12/4/2014	
NOT TO SCALE	