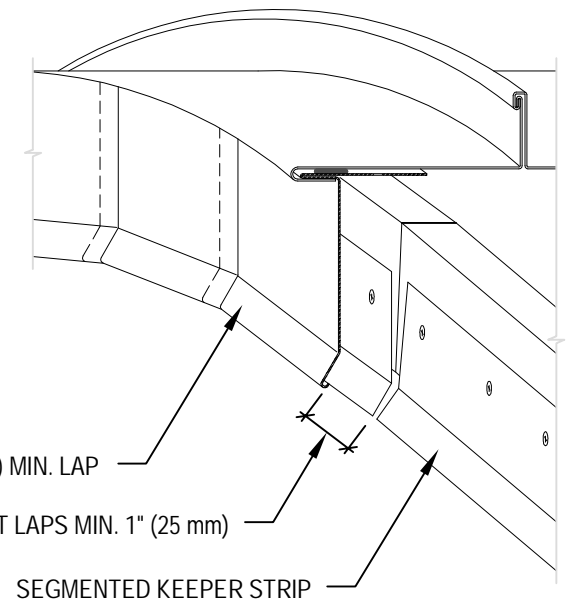


NOTES:

1. REFER TO FIRESTONE WEBSITE FOR MOST CURRENT INFORMATION.
2. REFER TO TECHNICAL INFORMATION SHEETS FOR FASCIA SIZES, ACCESSORIES, AND FINISHES AVAILABLE.
3. WOOD NAILER MUST BE INSTALLED TO MEET APPLICABLE BUILDING CODES OR 200 LBS PER LINEAR FOOT MINIMUM IN ANY GIVEN DIRECTION.
4. REFER TO THE FIRESTONE TECHNICAL DATABASE FOR FASTENER/METAL COMPATIBILITY.



SEGMENTED RAKE FLASHING WITH 4" (102 mm) MIN. LAP

OFFSET LAPS MIN. 1" (25 mm)

SEGMENTED KEEPER STRIP

FOR WARRANTY PERIODS GREATER THAN 20 YEARS REFER TO METAL QUICK SPECS FOR MINIMUM REQUIREMENTS.

MAXIMUM WARRANTY: 20 YEARS

**Firestone**  
 BUILDING PRODUCTS  
 NOBODY COVERS YOU BETTER.™  
[www.firestonebpco.com](http://www.firestonebpco.com)

**RADIUSED RAKE WITH HEMMED PANEL EDGE**

UNA-CLAD®

ACCEPTABLE SYSTEMS: UC-3 RS

ISSUE / REVISION DATE:  
 08/29/2013  
 NOT TO SCALE

DETAIL NO.  
**RK-4**