

FIRESTONE RUBBERGARD™ EPDM

APPLICATION INSTRUCTIONS

FIRESTONE 5" and 6" QUICKSEAM™ FLASHING

9"; 12" and 18" QUICKSEAM FORMFLASH™ FLASHING

Product Description:

QuickSeam and FormFlash Flashing (hereafter referred to as "QS FL") all consist of semi-cured EPDM flashing factory laminated to QuickSeam Tape. They are designed to cover and seal roof edge metal and other field flashing applications where allowed by Firestone Specifications and Details. The release liner has been perforated, resulting in marks on the release liner and tape portion which serve as a guide in the application of the QS FL, and also allow for selective removal of the liner.

Method of application:

A. Primer Application:

1. Thoroughly stir the Single-Ply QuickPrime™ Primer or Single-Ply QuickPrime LVOC Primer; QuickPrime Plus; or QuickPrime Plus LVOC before and during use.
2. Pour a small amount of primer into a pail or bucket (cover the primer when not in use).
3. Prime the membrane and substrate to receive the QS FL using Single-Ply QuickPrime™ Primer or Single-Ply QuickPrime LVOC Primer; QuickPrime Plus; QuickPrime Plus LVOC applied with the QuickScrubber™ or QuickScrubber Plus pad and handle. All areas to receive QS FL shall be primed.
 - a. Dip the QuickScrubber or QuickScrubber Plus pad into the primer, holding the applicator horizontal and flat to minimize primer drips.
 - b. Scrub apply the primer with QuickScrubber or QuickScrubber Plus using long back and forth strokes with heavy pressure over the length of the QS FL receiving area until surfaces become dark gray with no streaking or puddling and the substrate is completely covered. Do not overwork the primer.
 - c. Allow the primer to completely dry before installing the QS FL (typically about 10 minutes).
 1. Test for primer readiness by touching the primer with a clean, dry finger.
 2. Push down and forward as you are touching the surface of the primer to determine if the primer is ready throughout its thickness.
 3. If either motion exposes wet or stringy primer when the finger is lifted, it is not ready to mate. Drying time will vary depending on ambient conditions.

Notes:

1. A full scrub pad will cover 4 to 5 lineal feet of one surface 4" wide. Change the scrub pad each 200 linear feet or when the primer has dried leaving the pad compressed.
2. If over-used, the pad will not hold the proper amount of primer.
3. Additional scrubbing is required on membrane that has become contaminated with bonding adhesive, dirt, or heavy dusting agent build-up at the areas to receive QS FL.
4. Overlaps of the QS FL shall be a minimum of 1".
5. Install QuickSeam Joint Covers as required by Firestone Specifications.

B. Position and apply the QS FL on roof edge metal as follows:

1. Place the roll of QS FL a few feet ahead of the starting application point and properly align to unroll and cover the metal flange.
2. Align the roll of QS FL, 3" (76 mm) on the metal flange and 2" (50 mm) on the membrane. Use the score marks in the tape as an application guide.
3. Starting at the edge of the prepared area, remove a small length of release liner and press the exposed tape down on to the primed surface.

4. Unroll the QS FL along the length of the edge metal, maintaining the correct alignment. Remove the release liner from the QS FL by pulling on the free end at a 45° angle with one hand and roll the exposed tape down onto the primed membrane and metal flange with the other. Smooth the flashing with hand pressure towards the outside edges of the QS FL.
5. Roll the mated area of the QS FL with a 1-1/2" (38 mm) wide silicone hand roller or the Firestone QuickRoller, first across the flashing and then along the entire length, to ensure proper adhesion. Roll end laps and T-joints thoroughly and using the edge of the roller, mold the flashing into step-offs.
6. When roof slope is 1" per foot or greater, and rooftop drainage allows water to cascade over QS FL- apply Seam Edge Treatment continuously along the leading edge of the QS FL/RubberGard membrane roof intersection.

C. Install QS FL as Joint Covers/ Patches:

1. Install Firestone QuickSeam Joint Covers or QS FL patches at locations required by Firestone Specifications.
2. Install seam edge treatment as required by Firestone Specifications.

D. Firestone 9"; 12"; 18" QS FL:

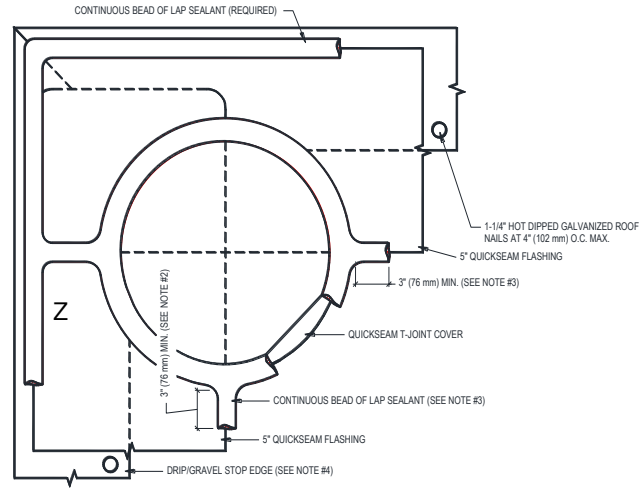
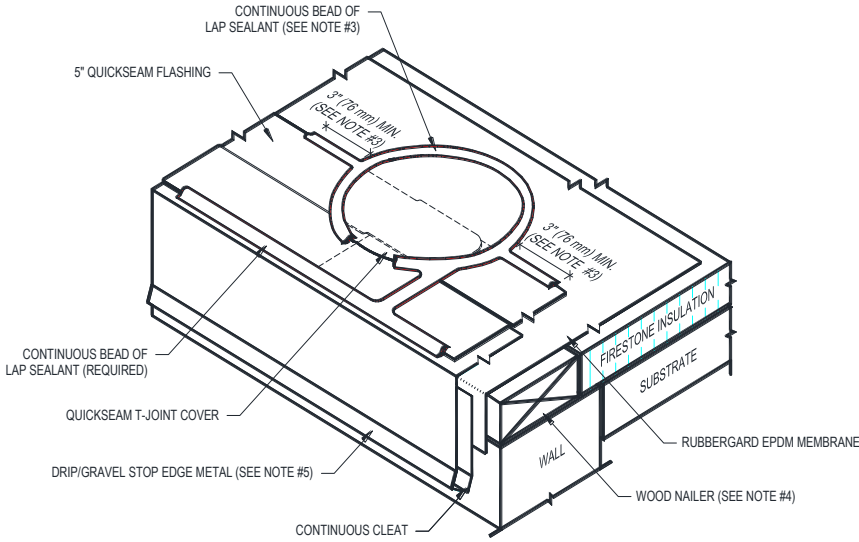
1. Firestone QS FL may be utilized as edge metal flashing; field fabricated pipe flashing; corner flashing; curb flashing; and other applications as permitted by Firestone Specifications.
2. Refer to the primer application method when installing QS FL.
3. Install seam edge treatment as required by Firestone Specifications.

E. Precautions:

1. Thinning of primer is not allowed.
2. Firestone Single-Ply QuickPrime Primer or Single-Ply QuickPrime LVOC Primer; QuickPrime Plus; and QuickPrime Plus LVOC are flammable. Do not store near open flame or ignition sources. Consult respective Material Safety Data Sheets prior to use.
3. Red caution labels are required when shipping.
4. For professional use only.
5. Use only in well ventilated areas.
6. Use of neoprene or nitrile gloves and eye protection with side shields is recommended.
7. Apply primers only in conjunction with QuickScrubber or QuickScrubber Plus. Do not apply primers with rollers, brushes, or rags.
8. Mix primer thoroughly before and during use.
9. Do not install over wet or damp substrate.
10. Do not stretch QuickSeam Flashing or QuickSeam FormFlash.

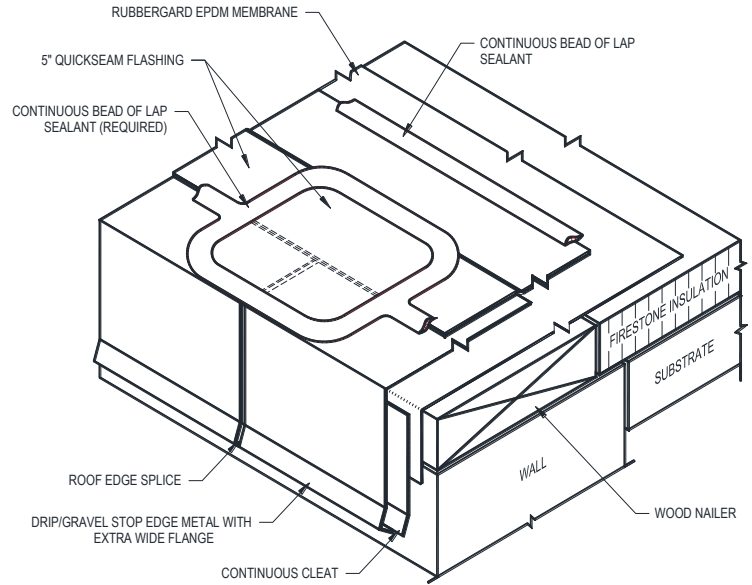
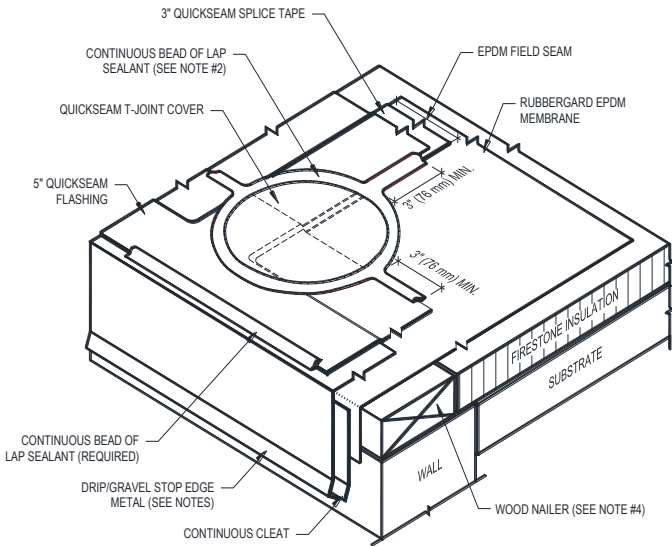
F. Application Tools Required:

1. Firestone QuickScrubber and/or QuickScrubber Plus (Handle and Pad).
2. 1.5" wide Silicone Hand Roller and/or QuickRoller
3. Pail or bucket
4. Scissors
5. Long handle for QuickScrubber Plus handle.



Detail RE-25
Roof Edge w/QuickSeam Flashing
End Splice Overlap

Detail RE-26
Roof Edge Corner w/QuickSeam
Flashing and T-Joint Cover



Detail RE-27
Roof Edge w/QuickSeam Flashing at
Field Seam

Detail R-28
Roof Edge Splice w/QuickSeam
Flashing Cover