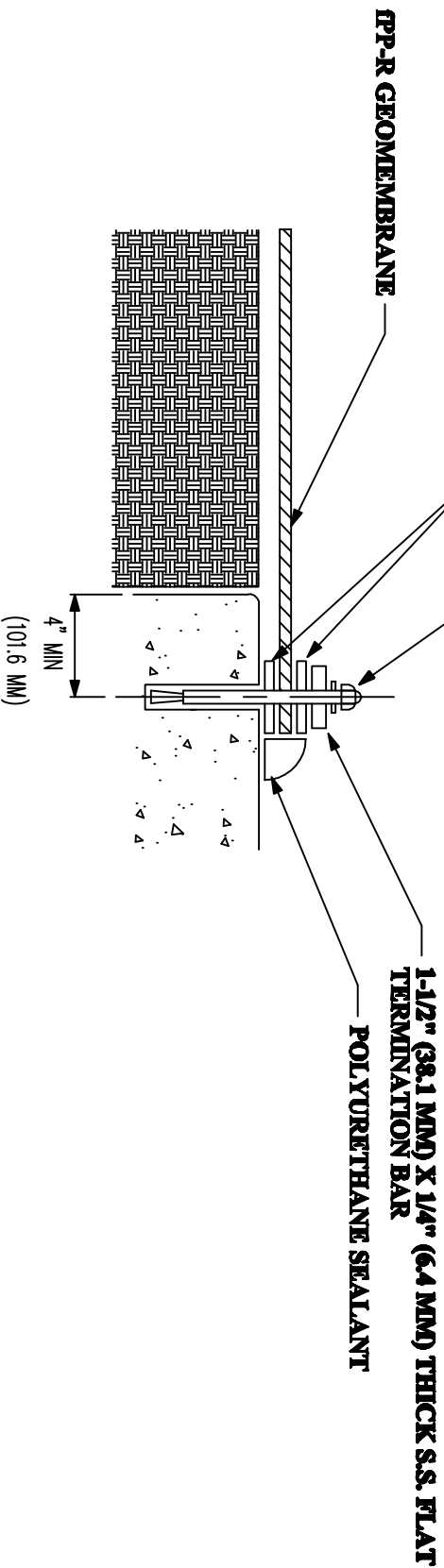


3/8" (9.5 MM) X 3-1/2" (88.9 MM) I.G. S.S. WEDGE TYPE ANCHOR BOLT WITH WEDGE NUT AND WASHER 6" O.C. (152.4 MM) 2" (50.8 MM) X 1/4" (6.4 MM) THICK NEOPRENE DOUBLE GASKET CONTINUOUS



- NOTES:**
- 1. CONCRETE SURFACES AT ATTACHMENTS TO BE SMOOTH BEFORE INSTALLATION**
 - 2. WHEN USING GEO-TEXTILE, DO NOT TERMINATE BENEATH BAR OR NEOPRENE GASKET.**
 - 3. GEOMEMBRANE AND LINER ARE INTERCHANGEABLE TERMS.**