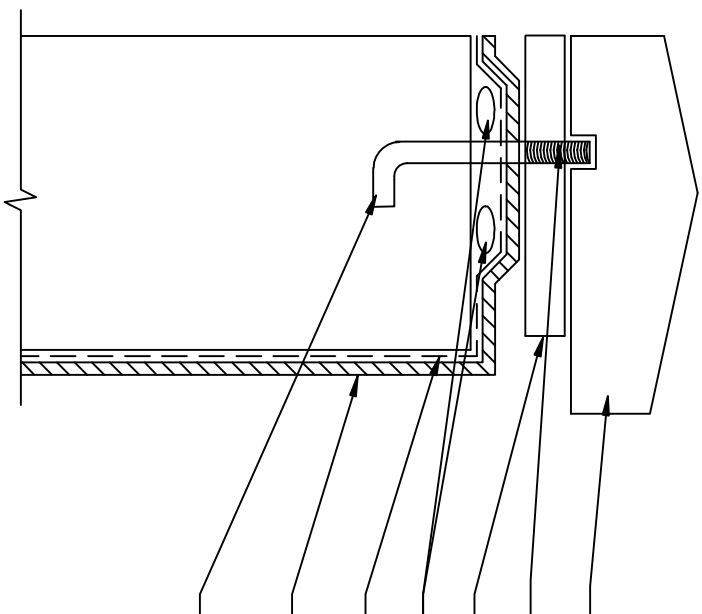
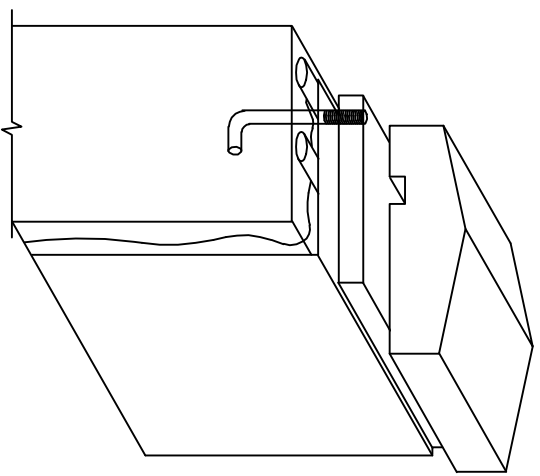


- NOTES:**
1. REFER TO DETAIL ML-T-7 FOR HIGH WALLS.
 2. WATERTIGHT INTEGRITY OF THE WALL AND COPING MUST BE MAINTAINED BY OTHERS.
 3. COPING STONE ATTACHMENT IS THE RESPONSIBILITY OF THE SPECIFIER.
 4. GEOMEMBRANE AND LINER ARE INTERCHANGEABLE TERMS.



- CAP STONE
- ANCHOR BOLT
- MORTAR
- SEALANT BY OTHERS
- SPLICE ADHESIVE
- PP-R GEOMEMBRANE EXTENDING TO FACE OF WALL
- ANCHOR BOLT SECUREMENT LUG MUST BE INSTALLED PARALLEL TO WALL SURFACE. (SHOWN PERPENDICULAR FOR CLARITY).



Firestone
20 Geomembranes that Work 09

PP-R Geomembrane
Cap Stone On Wall Termination

Detail No. ML-T-6
Systems Polypropylene