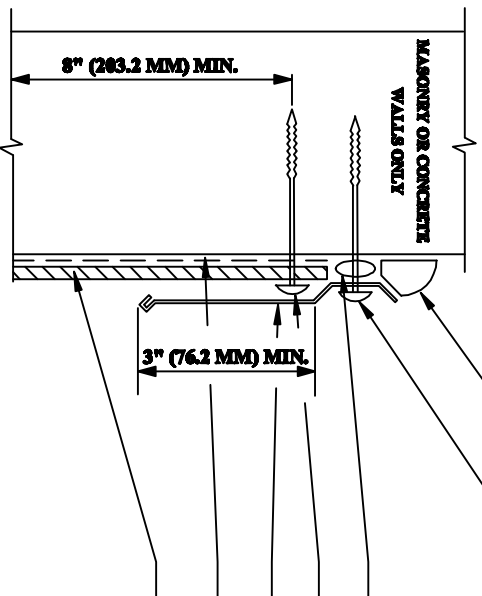


MASONRY AND CONCRETE WALLS MUST BE WATERPROOFED AND MAINTAINED IN ORDER FOR ANY SURFACE MOUNTED TERMINATION TO BE EFFECTIVE.



FIRESTONE GENERAL PURPOSE SEALANT OR HIGH GRADE SEALANT BY OTHERS

ATTACH SHEET METAL AT 12" (304.8 MM) O.C. MAX. OR AS REQUIRED TO PROVIDE CONTINUOUS COMPRESSION. SEAL ALL FASTENER HEADS WITH FIRESTONE GENERAL PURPOSE SEALANT OR HIGH GRADE SEALANT BY OTHERS.

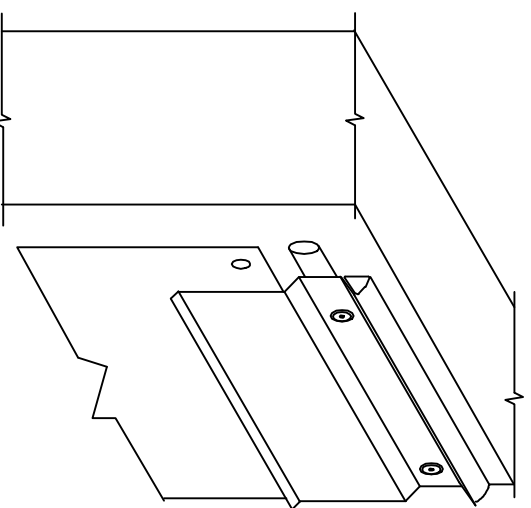
WATER BLOCK
FASTEN 12" (304.8 MM) O.C. MAX.

SURFACE MOUNTED SHEET METAL (SUPPLIED BY OTHERS)
SPLICE ADHESIVE

FP-R GEOMEMBRANE EXTENDING 8" (203.2 MM)
MIN. FROM SURFACE.

NOTES:

1. REFER TO DETAIL ML-T-7 FOR HIGH WALLS.
2. ATTACHMENT OF THE SHEET METAL IS THE RESPONSIBILITY OF THE SPECIFIER.
3. REGULAR MAINTENANCE OF SHEET METAL AND SEALANTS REQUIRED. NOT INCLUDED AS PART OF THE FIRESTONE WARRANTY.
4. GEOMEMBRANE AND LINER ARE INTERCHANGEABLE TERMS.



OPTIONAL STIFFENER BAR

<h1 style="margin: 0;">Firestone</h1> <p style="margin: 0; font-size: small;">20 Geomembranes that Work 09</p>	<p>FP-R Geomembrane Surface Mounted Sheet Metal Termination</p>	<p>Detail No. ML-T-5 Systems Polypropylene</p>
	<p style="font-size: x-small;">FP-R Geomembrane Surface Mounted Sheet Metal Termination</p>	