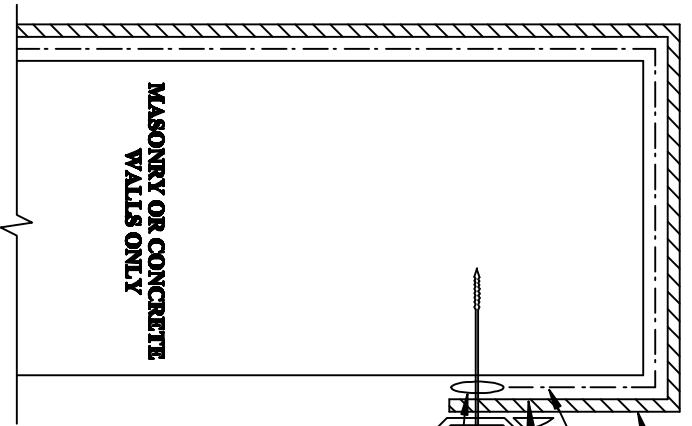
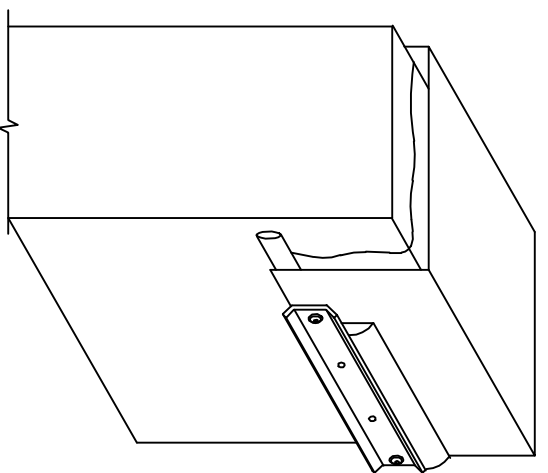


NOTES

1. KEEP EACH LENGTH OF TERMINATION BAR SEPARATED FROM ADJOINING BAR BY 1/4" (6.4 MM).
2. TERMINATION BAR MUST BE INSTALLED DIRECTLY TO WALL SURFACE, NOT TO EXISTING SHEET METAL, ETC.
3. AT INSIDE AND OUTSIDE CORNERS, TERMINATION BAR MUST BE CUT. DO NOT BEND AROUND CORNERS.
4. TERMINATION BAR MUST BE FASTENED 1" (25.4 MM) MAX. IN FROM END OF ALL SECTIONS.
5. GEOMEMBRANE AND LINER ARE INTERCHANGEABLE TERMS.



FIRESTONE FPP-R GEOMEMBRANE

ADHESIVE

FIRESTONE LAP SEALANT - REQUIRES MAINTENANCE TO MAINTAIN A WATERTIGHT SEAL TO WALL.

CONTINUOUS WATER BLOCK (APPLIED AT THE RATE OF 10 LINEAR FEET (3048 MM) PER TUBE)

FIRESTONE TERMINATION BAR ANCHORED WITH FIRESTONE FASTENERS 12" (304.8 MM) O.C. MAX.

MASONRY AND CONCRETE WALLS MUST BE WATERPROOFED AND MAINTAINED IN ORDER FOR ANY SURFACE MOUNTED TERMINATION TO BE EFFECTIVE.

Firestone

20 Geomembranes that Work 09

FPP-R Geomembrane
Outside Pond Wall
Termination

Detail No. ML-T-2
Systems Polypropylene