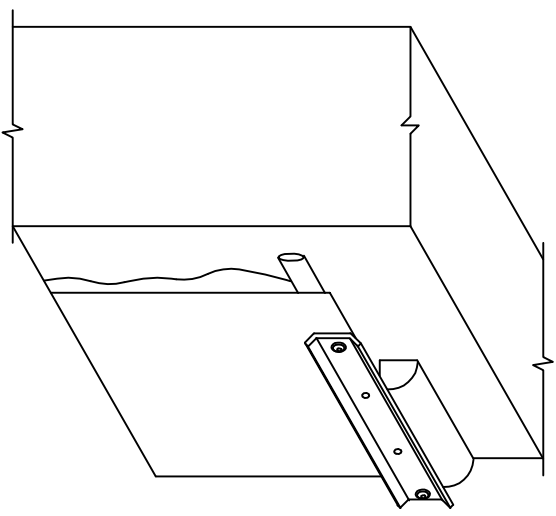
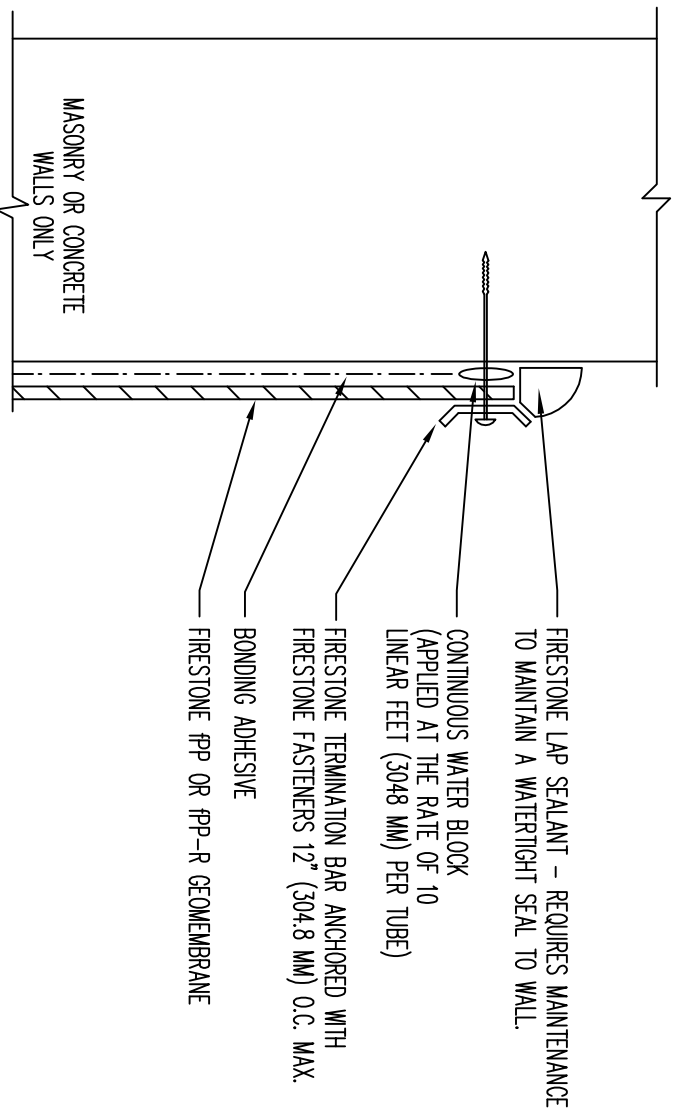


MASONRY AND CONCRETE WALLS MUST BE WATERPROOFED AND MAINTAINED IN ORDER FOR ANY SURFACE MOUNTED TERMINATION TO BE EFFECTIVE.



NOTES

1. KEEP EACH LENGTH OF TERMINATION BAR SEPARATED FROM ADJOINING BAR BY 1/4" (6.4 MM).
2. TERMINATION BAR MUST BE INSTALLED DIRECTLY TO WALL SURFACE, NOT TO EXISTING SHEET METAL, FLASHING ETC.
3. INSTALL TERMINATION BAR VERTICALLY WHERE BASE FLASHING ENDS AND APPLY LAP SEALANT TO THE TOP SIDE OF THE BAR AND OVER ALL FASTENERS.
4. AT INSIDE AND OUTSIDE CORNERS, TERMINATION BAR MUST BE CUT. DO NOT BEND AROUND CORNERS.
5. TERMINATION BAR MUST BE FASTENED 1" (25.4 MM) MAX. IN FROM END OF ALL SECTIONS.
6. TERMINATION BAR TERMINATION MUST BE ABOVE THE MAXIMUM WATER LEVEL.

Firestone

20 Geomembranes that Work 09

FPP or FPP-R Geomembrane
Wall Flashing Termination
Above Maximum Water Line

Detail No. ML-T-1
Systems Polypropylene