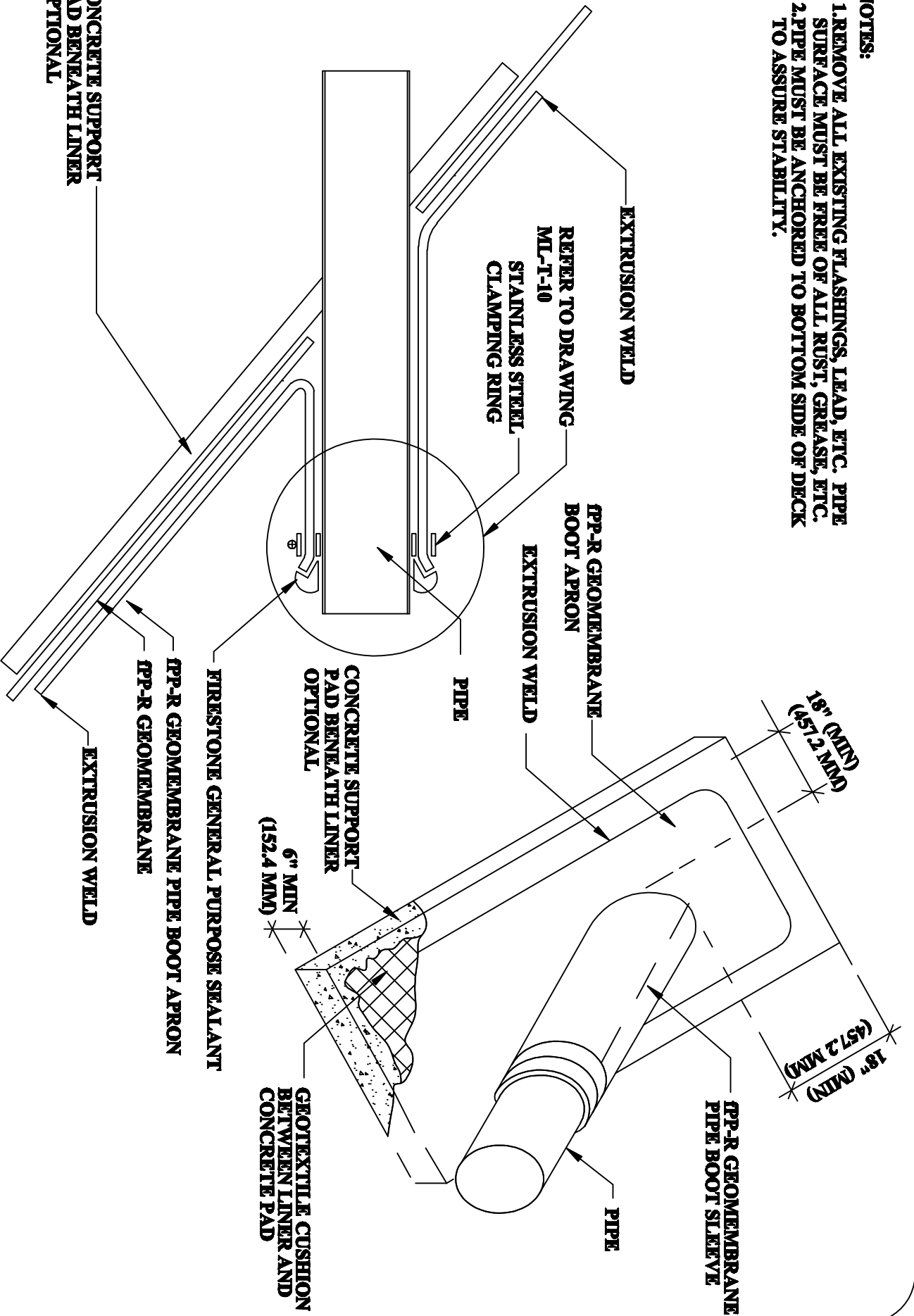


- NOTES:**
1. REMOVE ALL EXISTING FLASHINGS, LEAD, ETC. PIPE SURFACE MUST BE FREE OF ALL RUST, GREASE, ETC.
 2. PIPE MUST BE ANCHORED TO BOTTOM SIDE OF DECK TO ASSURE STABILITY.



Firestone
20 Geomembranes that Work 09

PP-R Geomembrane
Field Fabricated
Horizontal Pipe Penetration

Detail No. ML-P-3
Systems Polypropylene