

GENERAL PURPOSE SEALANT

STAINLESS STEEL CLAMPING RING -
NO WRINKLES OR FOLDS UNDERNEATH
CLAMPING RING

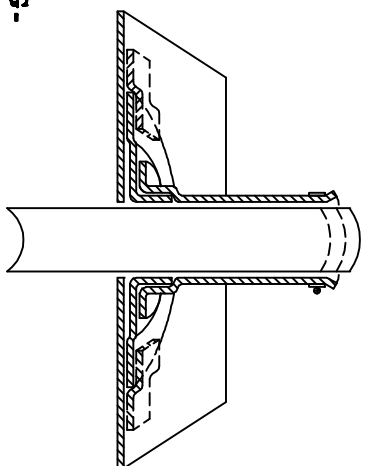
PP GEOMEMBRANE

TPO BONDING ADHESIVE

PP GEOMEMBRANE

4" (101.6 mm) "T" JOINT COVER
REQUIRED AT FIELD SEAM,
SEE PLAN VIEW BELOW

PP-R GEOMEMBRANE



4" (101.6 mm) "T" JOINT COVER
CENTER OVER INTERSECTION

FIELD SEAM

2" Min. (50.8 mm)

PLAN VIEW AT FIELD SEAM

NOTES:

1. REMOVE ALL EXISTING FLASHINGS, LEAD, ETC. PIPE SURFACE MUST BE FREE OF ALL RUST, GREASE, ETC.
2. PIPE MUST BE ANCHORED TO ASSURE STABILITY.

Firestone

20 Geomembranes that Work 09

PP-R Geomembrane
Field Fabricated
Pipe / Tube Flashing

Detail No. ML-P-2
Systems Polypropylene