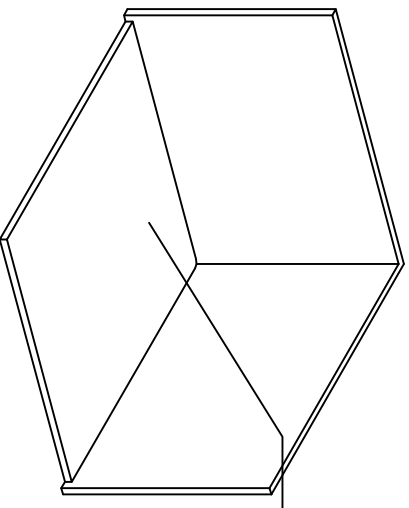
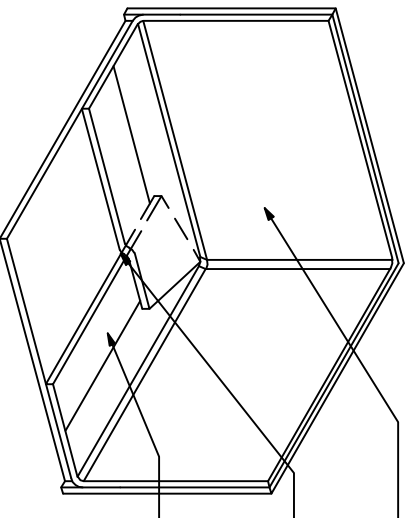


1.



**PP-R GEOMEMBRANE
FIELD SHEET**

2.

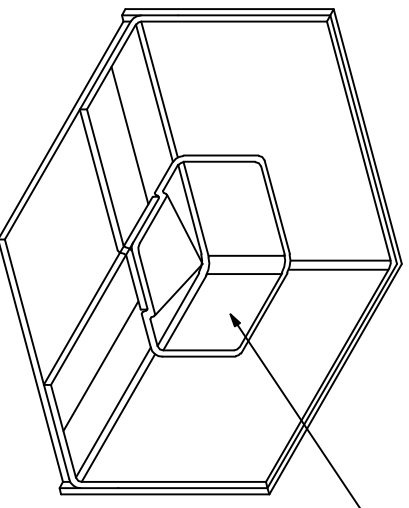


**PP-R GEOMEMBRANE
HEAT WELDED TO
FIELD SHEET**

**PP-R GEOMEMBRANE
T-JOINT COVER
REQUIRED**

**REFER TO DETAIL
ML-S-2**

3.



**PP GEOMEMBRANE
INSIDE CORNER
FLASHING HEAT
WELDED IN PLACE**

NOTES:

- 1. REFER TO APPLICABLE TERMINATION DETAILS.**
- 2. SEAMS MUST NOT OCCUR WITHIN 12" (304.8 mm) OF CORNER.**

Firestone
29 Geomembranes that Work 09

PP-R Geomembrane
Inside Corner

Detail No. ML-C-1
Systems Polypropylene