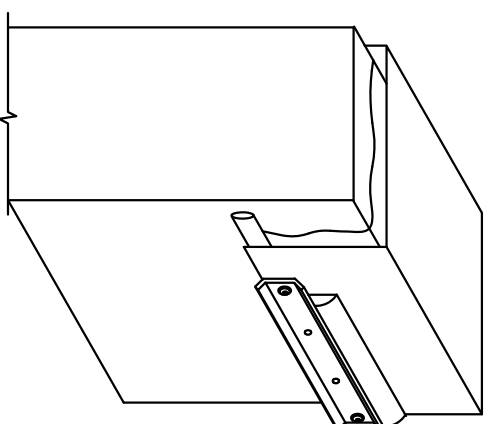
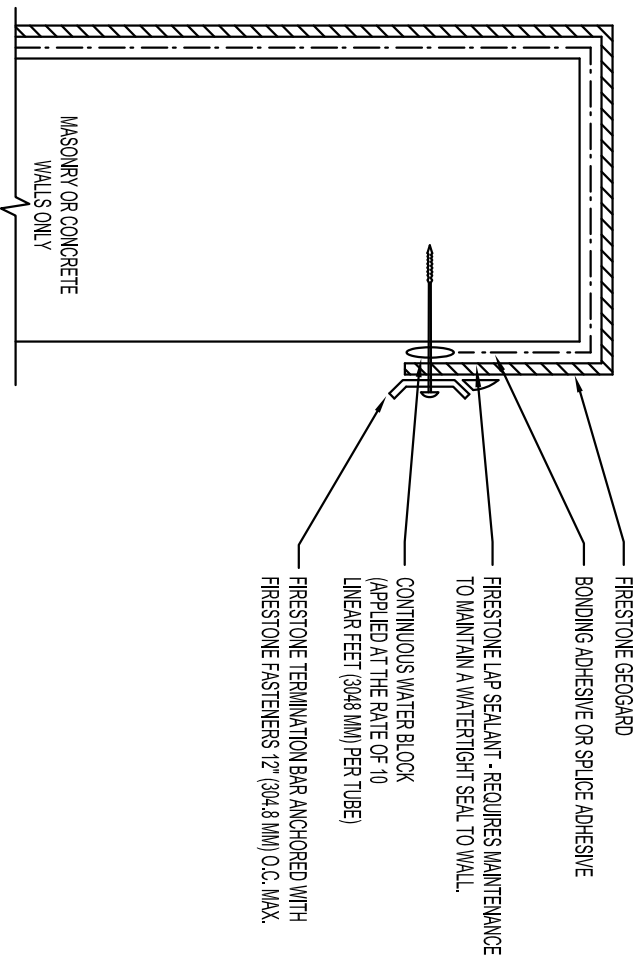


MASONRY AND CONCRETE WALLS MUST BE WATERPROOFED AND MAINTAINED IN ORDER FOR ANY SURFACE MOUNTED TERMINATION TO BE EFFECTIVE.



NOTES

1. KEEP EACH LENGTH OF TERMINATION BAR SEPARATED FROM ADJOINING BAR BY 1/4" (6.35 MM).
2. TERMINATION BAR MUST BE INSTALLED DIRECTLY TO WALL SURFACE. NOT TO EXISTING SHEET METAL FLASHING ETC.
3. INSTALL TERMINATION BAR VERTICALLY WHERE BASE FLASHING ENDS AND APPLY LAP SEALANT TO ALL SIDES OF THE BAR.
4. AT INSIDE AND OUTSIDE CORNERS, TERMINATION BAR MUST BE CUT. DO NOT BEND AROUND CORNERS.
5. TERMINATION BAR MUST BE FASTENED 1" (25.4 MM) MAX. IN FROM END OF ALL SECTIONS.

MAXIMUM WARRANTY: **N/A**

Outside Pond Wall Flashing Termination



GEOGARD™

ACCEPTABLE SYSTEMS:

EPDM, EPDM-R, ECOWHITE EPDM

DETAIL NO.

T-2

ISSUE / REVISION
DATE:

7-30-2015

NOT TO SCALE