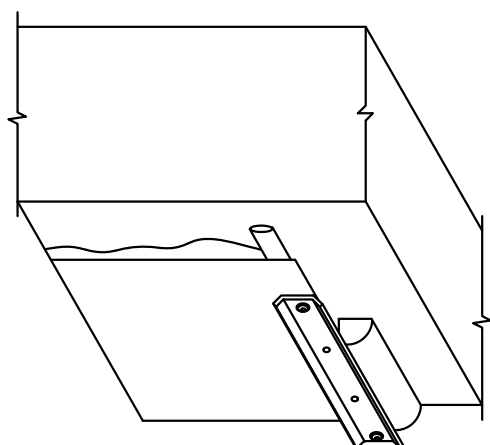
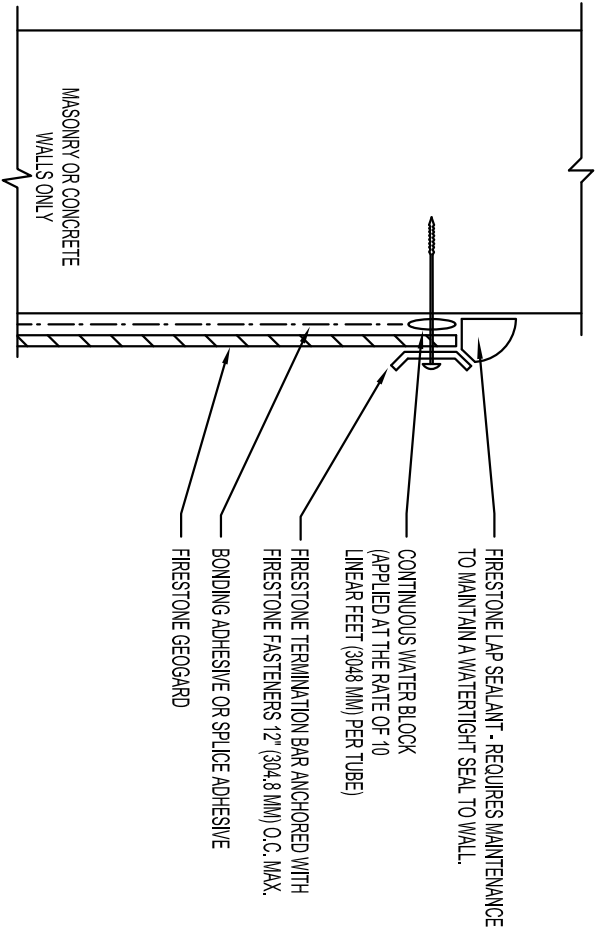


MASONRY AND CONCRETE WALLS MUST BE WATERPROOFED AND MAINTAINED IN ORDER FOR ANY SURFACE MOUNTED TERMINATION TO BE EFFECTIVE.



NOTES

1. KEEP EACH LENGTH OF TERMINATION BAR SEPARATED FROM ADDJOINING BAR BY 1/4" (6.4 MM).
2. TERMINATION BAR MUST BE INSTALLED DIRECTLY TO WALL SURFACE, NOT TO EXISTING SHEET METAL, FLASHING ETC.
3. INSTALL TERMINATION BAR VERTICALLY WHERE BASE FLASHING ENDS AND APPLY LAP SEALANT TO ALL SIDES OF THE BAR.
4. AT INSIDE AND OUTSIDE CORNERS, TERMINATION BAR MUST BE CUT. DO NOT BEND AROUND CORNERS.
5. TERMINATION BAR MUST BE FASTENED 1" (25.4 MM) MAX. IN FROM END OF ALL SECTIONS.
6. TERMINATION BAR TERMINATION MUST BE ABOVE THE MAXIMUM WATER LEVEL.

MAXIMUM WARRANTY: **N/A**

Wall Flashing Termination Above Maximum Water Line

GEOGARD™

ACCEPTABLE SYSTEMS:
EPDM, EPDM-R, ECOWHITE EPDM

ISSUE / REVISION
DATE:
7-30-2015

NOT TO SCALE

DETAIL NO.
T-1

