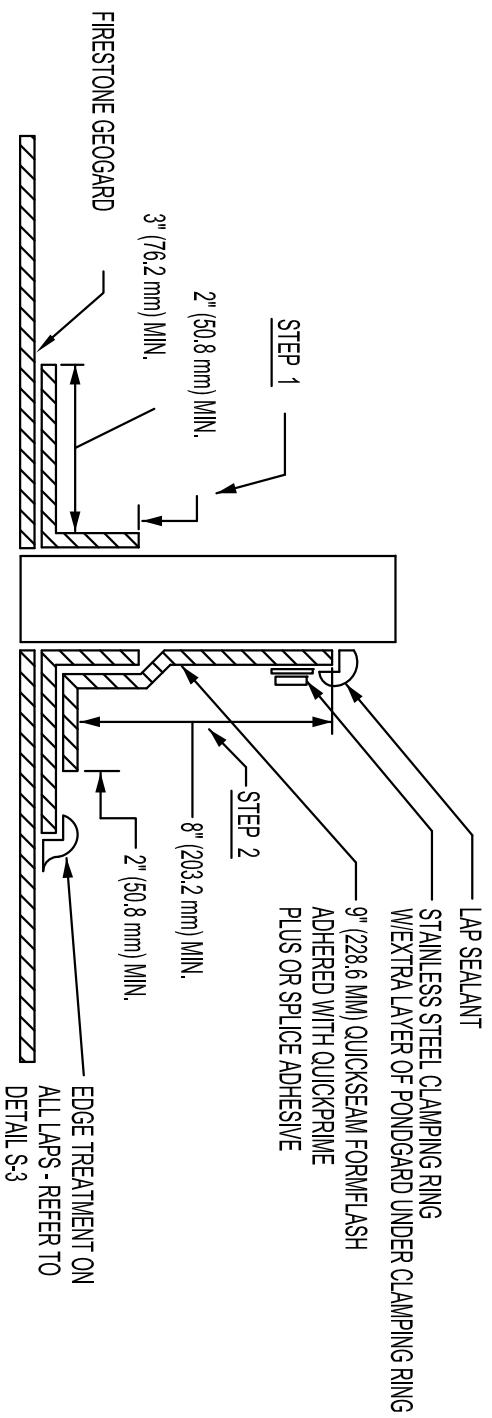
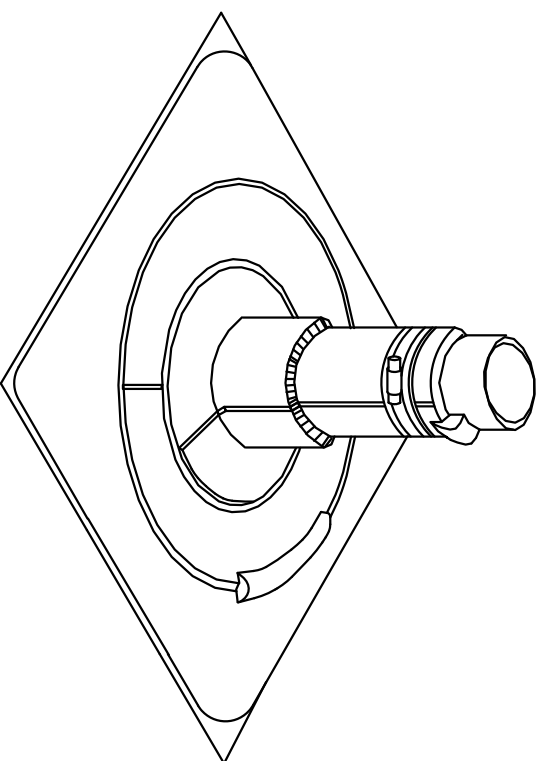


- NOTES:
1. PIPE SURFACE MUST BE FREE OF ALL RUST, GREASE, ETC.
 2. PIPE MUST BE ANCHORED IN THE SOIL TO ASSURE STABILITY.
 3. DO NOT INSTALL CLAMPING RING AROUND TOP OF FORMFLASH WITHOUT A SACRIFICIAL PROTECTIVE PIECE OF GEOMEMBRANE TO COMPLETELY PROTECT THE FLASHING FROM THE CLAMPING RING
 4. USE THIS DETAIL WHEN THE IN-SERVICE TEMPERATURE OF THE PIPE DOES NOT EXCEED 180° F (82° C).
 5. SEAM EDGE TREATMENT APPLIED AROUND ENTIRE PERIMETER OF FLASHING. REFER TO DETAIL S-3.



FIELD FABRICATED PIPE/TUBE FLASHING

GEOGARD™

Living In Action™

ISSUE / REVISION
DATE:
7-28-2015

DETAIL NO.

P-2

MAXIMUM WARRANTY: N/A

ACCEPTABLE SYSTEMS:
EPDM, EPDM-R, ECOWHITE EPDM

NOT TO SCALE

