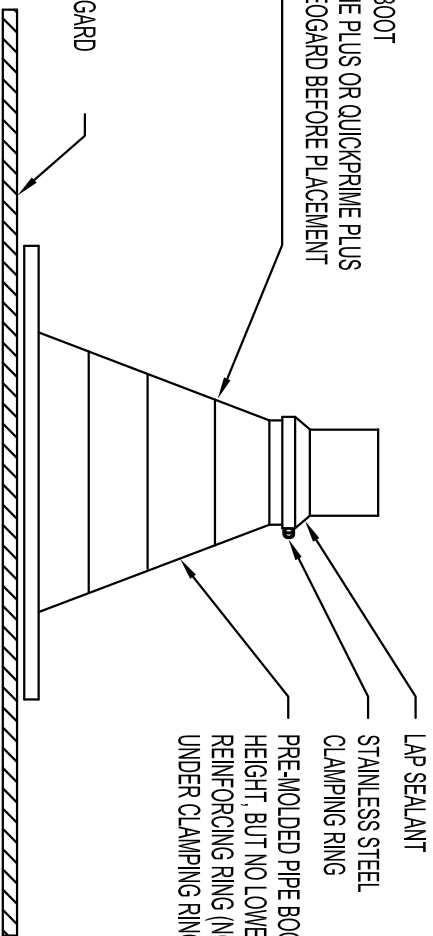


QUICKSEAM PIPE BOOT
 APPLY QUICKPRIME PLUS OR QUICKPRIME PLUS
 LVOC TO FIELD GEOGARD BEFORE PLACEMENT
 OF PIPE BOOT:



LAP SEALANT
 STAINLESS STEEL
 CLAMPING RING
 PRE-MOLDED PIPE BOOTS MAY BE CUT TO
 HEIGHT, BUT NO LOWER THAN LAST
 REINFORCING RING (NO WRINKLES OR FOLDS
 UNDER CLAMPING RING).

- NOTES:
1. PIPE SURFACE MUST BE FREE OF ALL RUST, GREASE, ETC.
 2. PIPE MUST BE ANCHORED IN THE SOIL TO ASSURE STABILITY.
 3. IF THE FLANGE OF THE PIPE BOOT OVERLAPS A FIELD OR FACTORY SEAM, A 1" JOINT PATCH OR 6" (152.4 mm) X 6" (152.4 mm) MIN. PIECE OF FORMFLASH, CENTERED OVER THE INTERSECTION, IS REQUIRED.

MAXIMUM WARRANTY: **N/A**

QUICKSEAM PRE-MOLDED PIPE FLASHING



GEOGARD™

ACCEPTABLE SYSTEMS:
 EPDM, EPDM-R, ECOWHITE EPDM

ISSUE / REVISION
 DATE:

7-28-2015

DETAIL NO.

P-1

NOT TO SCALE