

CONTINUOUS BEAD OF URETHANE SEALANT

APPROPRIATE FIRESTONE FASTENER  
12" (305 mm) O.C. MAX.

CONTINUOUS BEAD OF URETHANE SEALANT

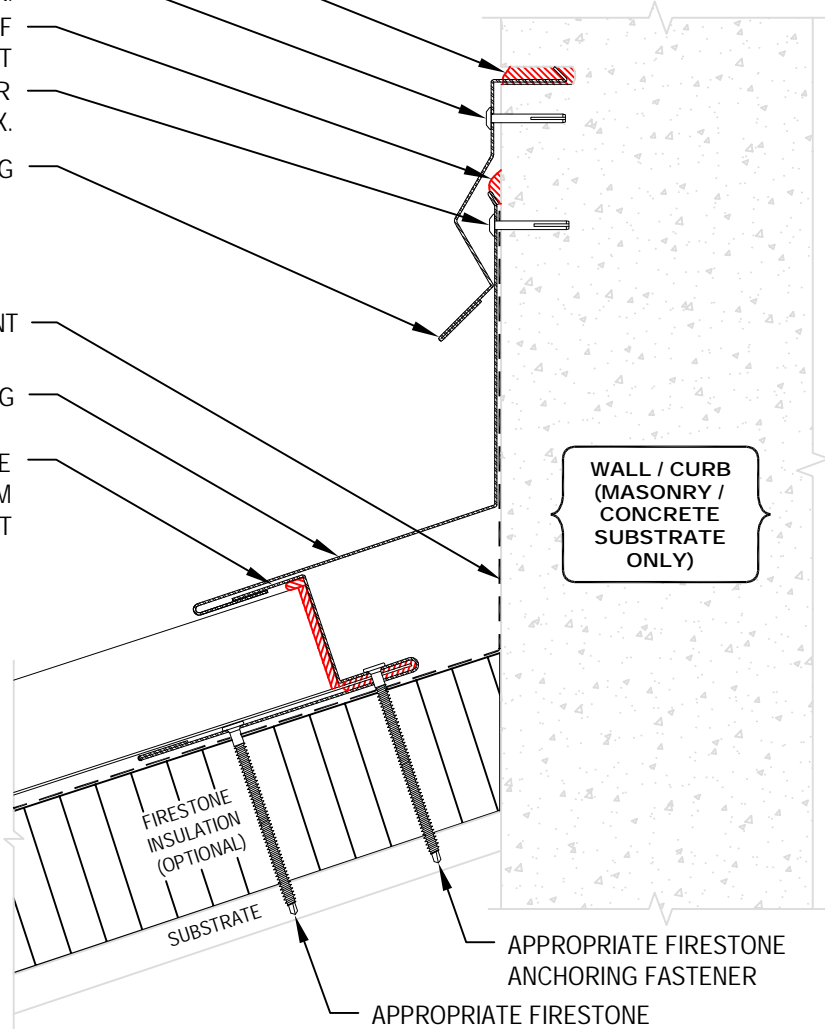
APPROPRIATE FIRESTONE FASTENER  
12" (305 mm) O.C. MAX.

REGLET COUNTER FLASHING

FIRESTONE APPROVED UNDERLAYMENT

HEADWALL FLASHING

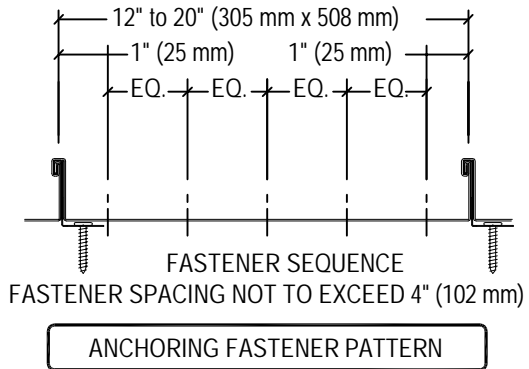
MODIFIED J-CHANNEL, FILL SPACE BETWEEN J-CHANNEL & PANEL SEAM w/ URETHANE SEALANT



MASONRY AND CONCRETE WALLS / CURBS MUST BE WATERPROOFED AND MAINTAINED IN ORDER FOR ANY SURFACE MOUNTED TERMINATION TO BE EFFECTIVE.

NOTES:

1. REFER TO FIRESTONE WEBSITE FOR MOST CURRENT INFORMATION.
2. REFER TO TECHNICAL INFORMATION SHEETS FOR FASCIA SIZES, ACCESSORIES, AND FINISHES AVAILABLE.
3. REFER TO THE FIRESTONE TECHNICAL DATABASE FOR FASTENER/METAL COMPATIBILITY.
4. APPLICATION DETAILS ARE FOR ILLUSTRATION PURPOSES ONLY AND MAY NOT BE APPROPRIATE FOR ALL BUILDING DESIGNS AND CONDITIONS.



FOR WARRANTY PERIODS GREATER THAN 20 YEARS REFER TO METAL QUICK SPECS FOR MINIMUM REQUIREMENTS.

MAXIMUM WARRANTY: 20 YEARS

**Firestone**  
BUILDING PRODUCTS  
NOBODY COVERS YOU BETTER.™  
[www.firestonebpco.com](http://www.firestonebpco.com)

**FIXED HEADWALL WITH MODIFIED J-CHANNEL AT REGLET**

UNA-CLAD®

ACCEPTABLE SYSTEMS: UC3-RS

ISSUE / REVISION DATE:  
08/27/2013  
NOT TO SCALE

DETAIL NO.  
**3-HW-3**