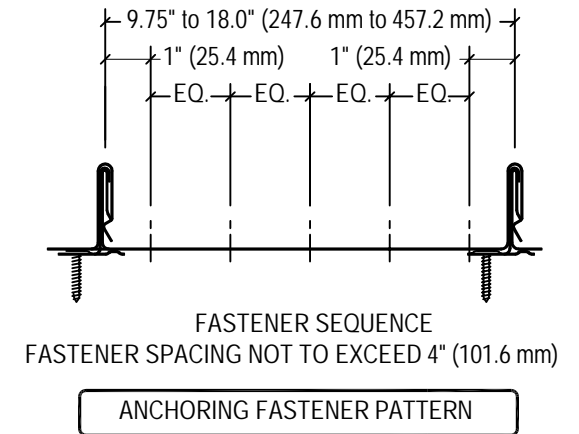


NOTES:

1. REFER TO FIRESTONE WEBSITE FOR MOST CURRENT INFORMATION.
2. REFER TO TECHNICAL INFORMATION SHEETS FOR FASCIA SIZES, ACCESSORIES, AND FINISHES AVAILABLE.
3. REFER TO THE FIRESTONE TECHNICAL DATABASE FOR FASTENER/METAL COMPATIBILITY.
4. FIELD NOTCH ZEE CLOSURES. SET ZEE CLOSURE IN BUTYL TAPE AND SEAL AROUND REMAINING EDGES OF ZEE WITH URETHANE SEALANT.
5. APPLICATION DETAILS ARE FOR ILLUSTRATION PURPOSES ONLY AND MAY NOT BE APPROPRIATE FOR ALL BUILDING DESIGNS AND CONDITIONS.



FASTENER SEQUENCE
FASTENER SPACING NOT TO EXCEED 4" (101.6 mm)

ANCHORING FASTENER PATTERN

FOR WARRANTY PERIODS GREATER THAN 20 YEARS REFER TO METAL QUICK SPECS FOR MINIMUM REQUIREMENTS.

MAXIMUM WARRANTY: 20 YEARS

Firestone
BUILDING PRODUCTS
NOBODY COVERS YOU BETTER.™
www.firestonebpco.com

FIXED HIP OR RIDGE WITH Z-CLOSURE	
UNA-CLAD®	ACCEPTABLE SYSTEMS: UC-14 RS

ISSUE / REVISION DATE: 09/09/2013
NOT TO SCALE

DETAIL NO.
14-R-1