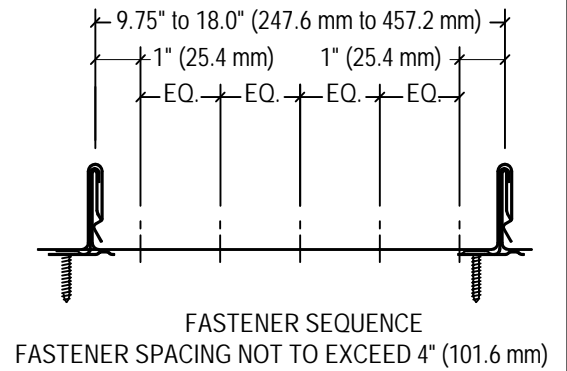


NOTES:

1. REFER TO FIRESTONE WEBSITE FOR MOST CURRENT INFORMATION.
2. REFER TO TECHNICAL INFORMATION SHEETS FOR FASCIA SIZES, ACCESSORIES, AND FINISHES AVAILABLE.
3. WOOD NAILER MUST BE INSTALLED TO MEET APPLICABLE BUILDING CODES OR 200 LBS PER LINEAR FOOT MINIMUM IN ANY GIVEN DIRECTION.
4. REFER TO THE FIRESTONE TECHNICAL DATABASE FOR FASTENER/METAL COMPATIBILITY.
5. REFER TO THE FIRESTONE TECHNICAL DATABASE FOR HEM LENGTH AND REQUIRED DISTANCE BETWEEN THE PANEL & CLEAT.
6. APPLICATION DETAILS ARE FOR ILLUSTRATION PURPOSES ONLY AND MAY NOT BE APPROPRIATE FOR ALL BUILDING DESIGNS AND CONDITIONS.



FASTENER SEQUENCE  
FASTENER SPACING NOT TO EXCEED 4" (101.6 mm)

ANCHORING FASTENER PATTERN

FOR WARRANTY PERIODS GREATER THAN 20 YEARS REFER TO METAL QUICK SPECS FOR MINIMUM REQUIREMENTS.

MAXIMUM WARRANTY: 20 YEARS

**Firestone**  
BUILDING PRODUCTS  
NOBODY COVERS YOU BETTER.™  
www.firestonebpco.com

**PITCHBREAK TRANSITION - LOW TO STEEP SLOPE**

UNA-CLAD®

ACCEPTABLE SYSTEMS: UC-14 RS

ISSUE / REVISION DATE:  
09/09/2013  
NOT TO SCALE

DETAIL NO.  
**14-PB-3**