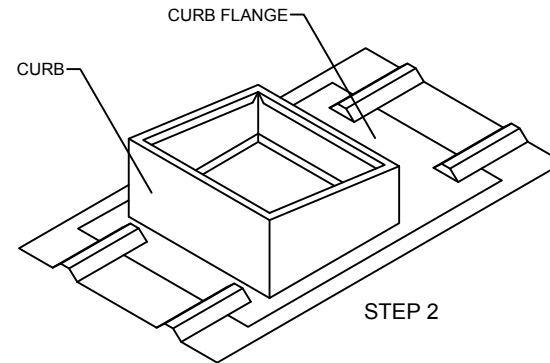


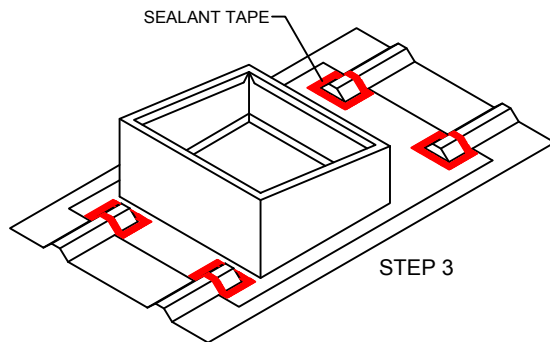
STEP 1

Locate roof opening and install support framing for roof curb and equipment loads. Place support framing so that at least two parallel curb walls rest on support framing. Loads shall not be supported by a cantilever curb section exceeding 1'-0" in length. Cut roof panels to fit opening of curb on sloping sides and overlap rib sides by 3-1/2". Apply sealant tape along edge of roof opening.



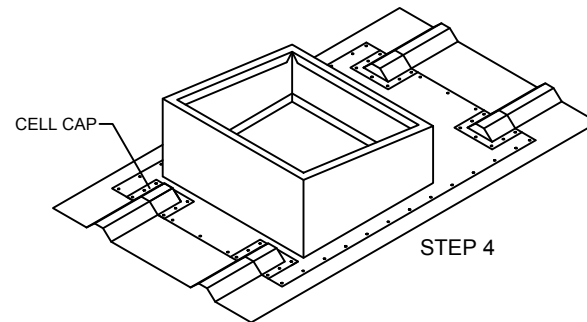
STEP 2

Align curb with support framing and cut openings in flanges at each ridge. Press curb firmly into place.



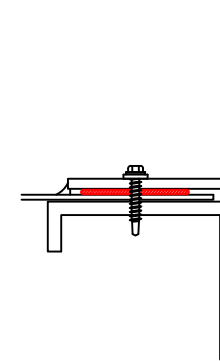
STEP 3

Apply sealant tape for each cell cap as shown.



STEP 4

Press cell caps firmly into place. Install fasteners compatible with the roof system at a minimum of 6" O/C.



Inspect installation and fasteners. Finish all edges of curb with a good grade of silicone sealant to assure a watertight seal. Make sure all possible openings for water are sealed.

**Firestone**  
Firestone Building Products

**INSTALLATION INSTRUCTIONS FOR METAL BUILDING CURB**

**SUNWAVE™ PRISMATIC SKYLIGHTS** ACCEPTABLE SYSTEMS: ALL

MAXIMUM WARRANTY: **20 YEARS**

ISSUE / REVISION  
DATE:  
11/02/2017

DETAIL NO.  
**FS-DL-14**

Firestone Building Products | Sales: (800- 428-4442 | Technical (800) 428-4511 | www.firestonebpc.com

NOT TO SCALE